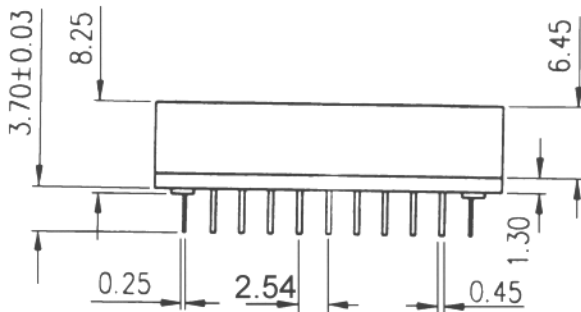
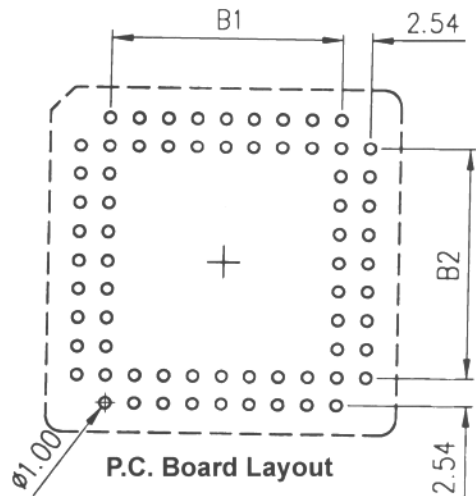
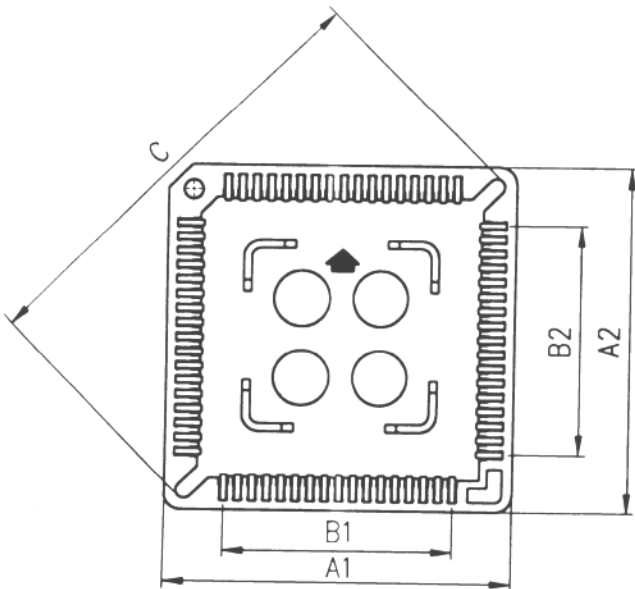
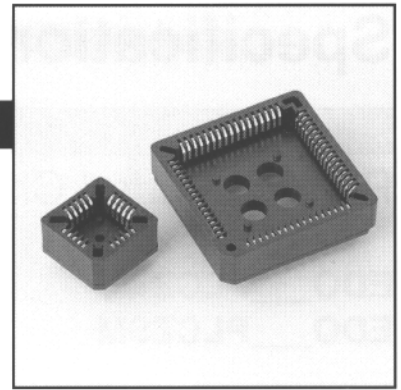


# Series: EDO\_\_ PLCZ

## Plastic Leaded Chip Carrier



Ordering example: **EDO - 32 PLCZ**

No. of Positions	Dimensions				
	A1±0.2	A2±0.2	B1±0.2	B2±0.2	C±0.2
20	15.56	15.56	5.08	5.08	18.20
28	18.10	18.10	7.62	7.62	21.70
32	18.10	20.64	7.62	10.16	23.65
44	23.18	23.18	12.70	12.70	28.50
52	25.72	25.72	15.24	15.24	32.50
68	30.80	30.80	20.32	20.32	40.00
84	35.88	35.88	25.40	25.40	47.15

# Specifications

## Plastic Leaded Chip Carrier Series:

EDO \_\_\_ PLCZ

EDO \_\_\_ PLCZSM

### Ratings:

Current	1A
Dielectric strength	600VAC for 1 minute
Insulator resistance	5000M $\Omega$ Min.
Temperature thru-hole	-55°C / +110°C (PBT)
Temperature surface mount	-55°C / +170°C (PPS)

### Material:

Insulator	PBT Glass filled, UL94V-0 PPS Glass filled, UL94V-0 (surface mount only)
Contact	Phosphor Bronze
Plating	Tin over Nickel

## ORDERING PROCEDURE

    1     -     2     -     3    

- 1) Series
- 2) Number of Positions (see chart for available positions)
- 3) Option:
  - Surface mount only
  - N = Non-polarized
  - P = Polarized